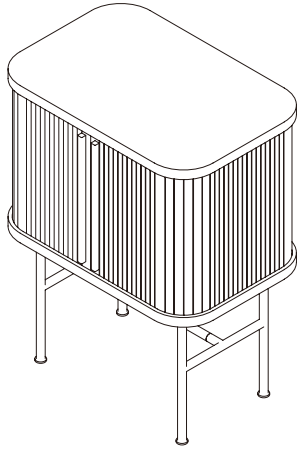


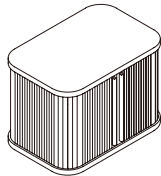
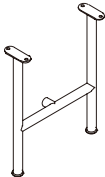
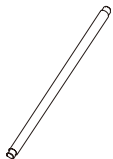
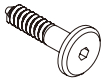
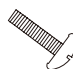


ASSEMBLY INSTRUCTION



Product Name: **BARTLEY NIGHTSTAND - NATURAL**

PART LIST

Before you begin, please layout all parts and ensure you have the correct count.

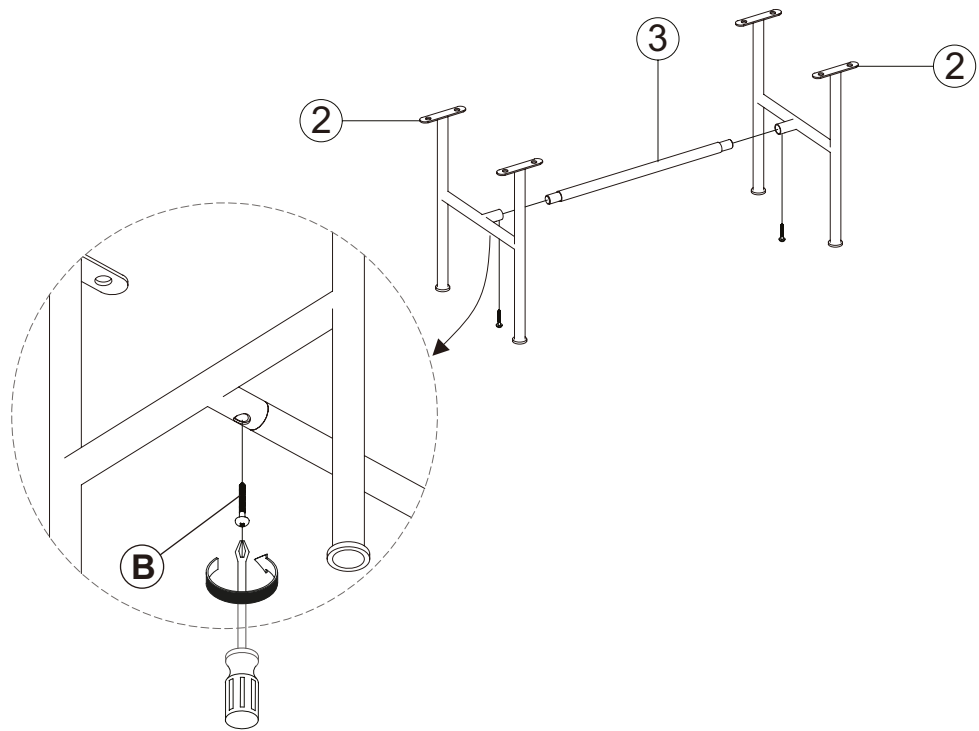
PART	DESCRIPTION	QUANTITY	ILLUSTRATION
1	CABINET ASSY	1	
2	METAL LEG ASSY	2	
3	METAL STRETCHER	1	
A	JCBC BOLT (M6 X 15)	8	
B	JMT BOLT (M4 X 10)	2	
C	BUMPON (Ø20)	4	
D	ALLEN KEY M4	1	

ASSEMBLY INSTRUCTIONS

STEPS

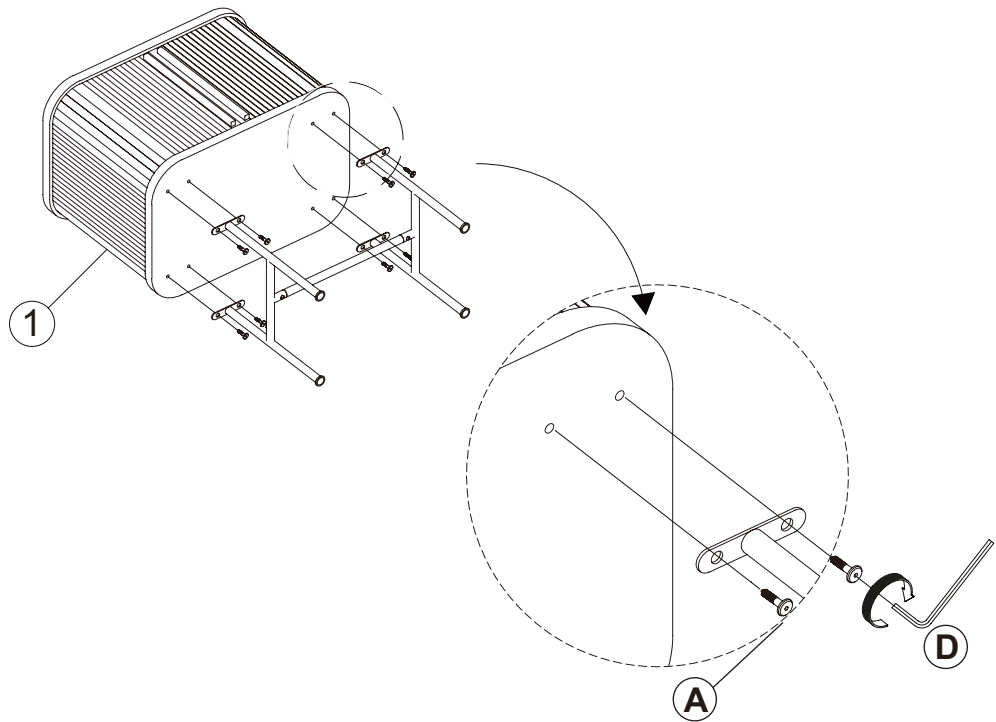
ILLUSTRATION

1



Place Metal Stretcher (3) into Metal Leg (2). Tighten the JMT Bolt (B) using Screw Driver (not included)

2



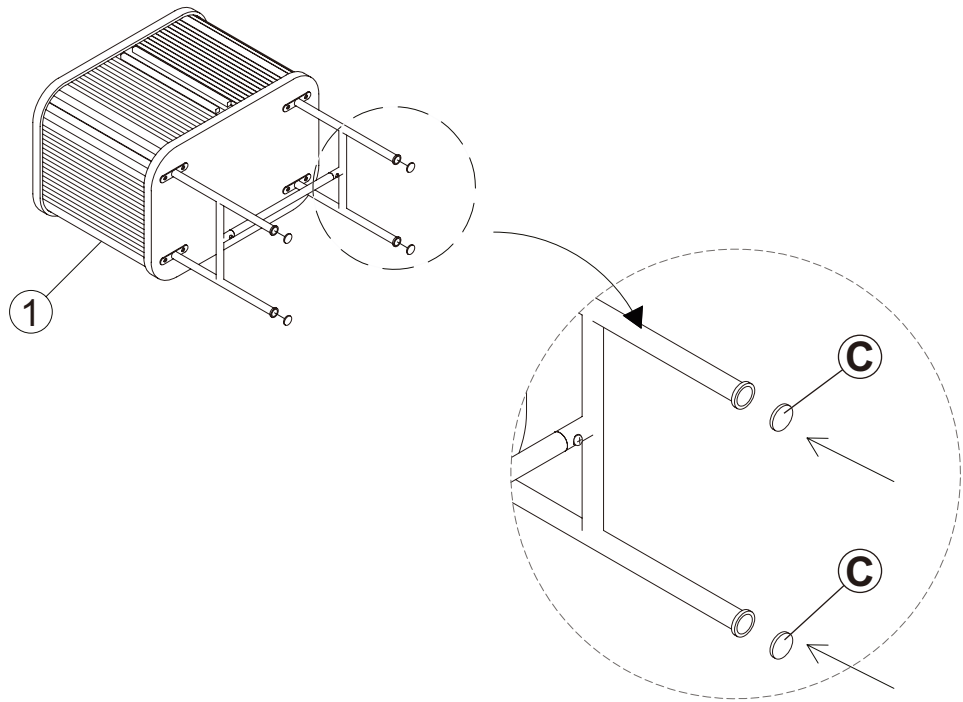
Place Metal Leg Assy into Bottom Panel position. Tighten the JCBC Bolt (A) using Allen Key (D)

ASSEMBLY INSTRUCTIONS

STEPS

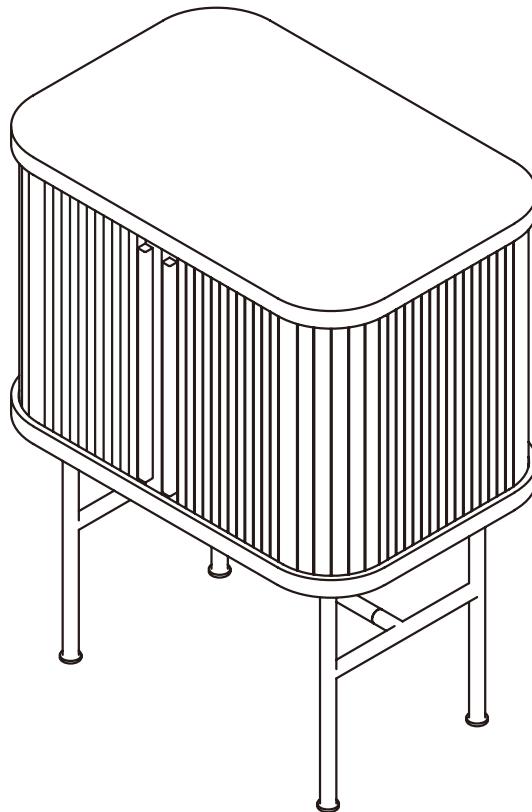
ILLUSTRATION

3



Put Bumpom (C) into bottom position metal leg assembly

4



Assembly Completed.

ASSEMBLY TIPS:

Please check parts and hardware before assembling. Follow each instruction step by step.

Place a protective pad or piece of cardboard on the floor while assembling your item on top of it.

Remove all parts from the carton and separate them into part numbers/groups as indicated on the part list.

Please follow instructions in the sequence as numbered to assure fast/easy assembly.

WARNING:

Don't attempt to repair or modify parts that are broken or defective - if you find a broken part please contact us for replacement.

Keep all hardware parts out of the reach of children.

FURNITURE CARE:

Following these few basic steps will help to ensure that you enjoy your furniture for a long time:

Do not expose your furniture to direct sunlight, dampness or any heat, like a hot cup of coffee or tea. Always use a coaster.

Excessive exposure to sunlight may cause fading.

Excessive temperature and humidity or cold may cause cracking or splitting.

Dust with a clean, damp, lint free cloth.

Use a damp cloth with water or mild detergent to clean all surfaces - do not use chemicals or paint thinner which will fade the surface.

Place a piece of felt or a pad under the legs of your furniture to avoid scratching the floor.